

OSBORNE REFRIGERATORS



Designed AND manufactured
exclusively in the UK

Milk Refrigerator - MM3M

The *eCold* range from Osborne Refrigerators is designed to be good to your pocket as well as the environment. Low-voltage fans and LED lighting put very little waste heat into the cabinet and improved insulation and efficient compressors maximise cooling performance while using less energy. *eCold* cabinets are also designed to be virtually maintenance-free, with no fluorescent tubes to change, and condensers that never require unblocking.

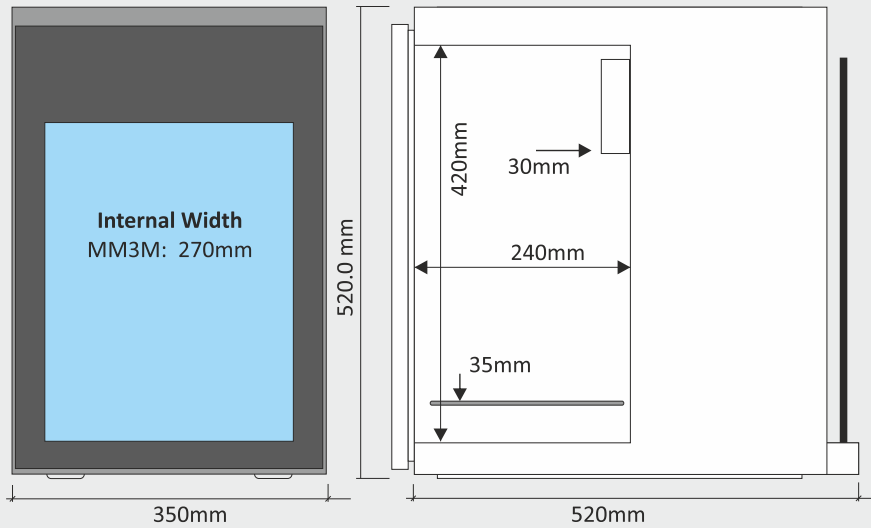
Osborne Refrigerators Ltd have been established at our West Sussex base for more than 60 years and we are the leading British manufacturer of refrigerators designed for the chilling and storage of wine and cold beverages. All our chillers are also suitable for storing foodstuffs. As well as our standard range of cabinets, which are specified by leading breweries, drinks manufacturers and leisure companies across the world, we also produce a range of high quality cabinets designed specifically for the refrigeration of milk for coffee machines.

All our refrigerators use CFC free polystyrene insulation and can be efficiently recycled at the end of their life. They are also available with a choice of refrigerants.

The Osborne range is always evolving, due to our commitment to constantly improve our products and also in response to specific customer requirements. We have built an enviable reputation for the quality and reliability of our refrigerators and we will never stop working to maintain that reputation.

Details

Model MM3M is a compact single door cabinet designed for the safe and convenient storage of milk. It can be supplied with a milk-delivery tube set to allow chilled milk to be pumped straight from inside the cabinet into a coffee machine and it's size allows it to be situated almost anywhere, even built in to the coffee machine itself. Manufactured from oven-baked enamel coated zintec steel with an aluminum interior, the unit can be supplied with either a glass or solid door. The interior is fan-circulated for consistent cooling performance and the interior lighting is by LED for increased energy efficiency.



Features

Automatic defrost and re-evaporation
 Fan assisted interior
 LED interior lighting
 R600a hydrocarbon refrigerant
 Digital temperature readout (rear)
 Painted steel exterior
 Aluminium interior

Options

Glass or solid door
 Stainless steel exterior
 Choice of colours*
 Milk-delivery tube set

*check minimum order quantity

Physical Info

Height (mm)	520
Width (mm)	350
Depth (mm)	520
Nett Capacity (ltr)	23
Gross Weight Packed (kg)	19

Technical Info

Voltage (V)	220-240
Frequency (Hz)	50
Rated Power (W)	65
Refrigerant Type	R600a
Product Temperature Range (°C)	1-5
Insulation Type	Polystyrene, CFC Free
Insulation Thickness (mm)	37
Energy Rating (Glass Door)	B
(Solid Door)	A



OSBORNE REFRIGERATORS LTD
 Rose Green Road
 Bognor Regis
 West Sussex
 PO21 3EG
 United Kingdom

Tel +44 1243 267711
 sales@osborne-ref.co.uk
 www.osbornerefrigerators.uk
 @osbornerefrigeratorsltd
 @osbornerefrigeratorsltd
 @osbornerefrigerators

